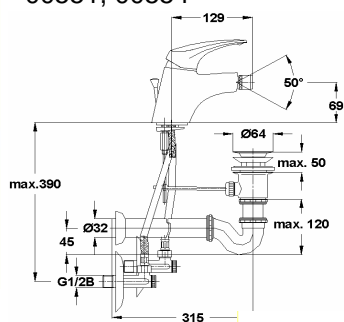


Armature PRESTIGE Bidet mixer

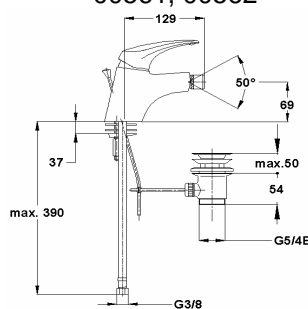
Data sheet for
00551
Valid 10.2007



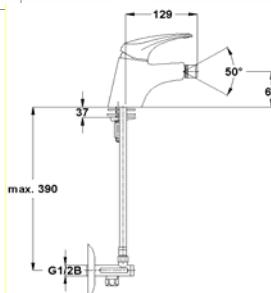
00551, 00554



00561, 00562



00571, 00572



Model:	Colour:
00551	Chrome
00554	Sateen
00561	Chrome
00562	Sateen
00571	Chrome
00572	Sateen

<p>Body:brass acc. EN 12164, chrom plated Cartridge: ϕ 40 mm, Eco-temp cartridge, with warm wather flow reduction option Handle: brass, chrom plated Sealing elements: rubber EPDM</p>	Construction
--	---------------------

Flexible connecting hose for domestic tap fittings G3/8x450	Conections
Working pressure: up to 3 - 5 bar	Recommendable pressure
Working pressure: up to 8 bar	Maximum pressure
Working pressure: up to 0,5 bar	Minimum pressure
Working temperature: 5 - 65°C	Recommendable temp.
Working temperature: 80°C	Maximum temperature

<p>Sanitary armaturen is used in the hight pressure sanitary systems. Eco-temp cartridge, with warm wather flowreduction option, economic volume wather flowcontrol valve with 2 different levels.</p>	Application
--	--------------------

<p>You have to wash out all pipes before assembling. Connect sanitary mixer and primary water pipe with flexible hose. Remove aerator and rotate mixer handle in tottaly open position. Slowly open pipe valves and manipulate with mixer handle in all possittions. Repairing the armature is allowed only performed trade person. Affter assembling we advice to wash out mixer for an our. We recommended to reduce water pressure over 5 bar with suitable pressure reducer.</p>	Instruction for assembling and maintenance
--	---

We reserve the right to make modifications in line with progress in engineering.



Kovinsko predelovalno podjetje d.d.
Grmaška c.3, 1275 Šmartno pri Litiji, SLOVENIJA