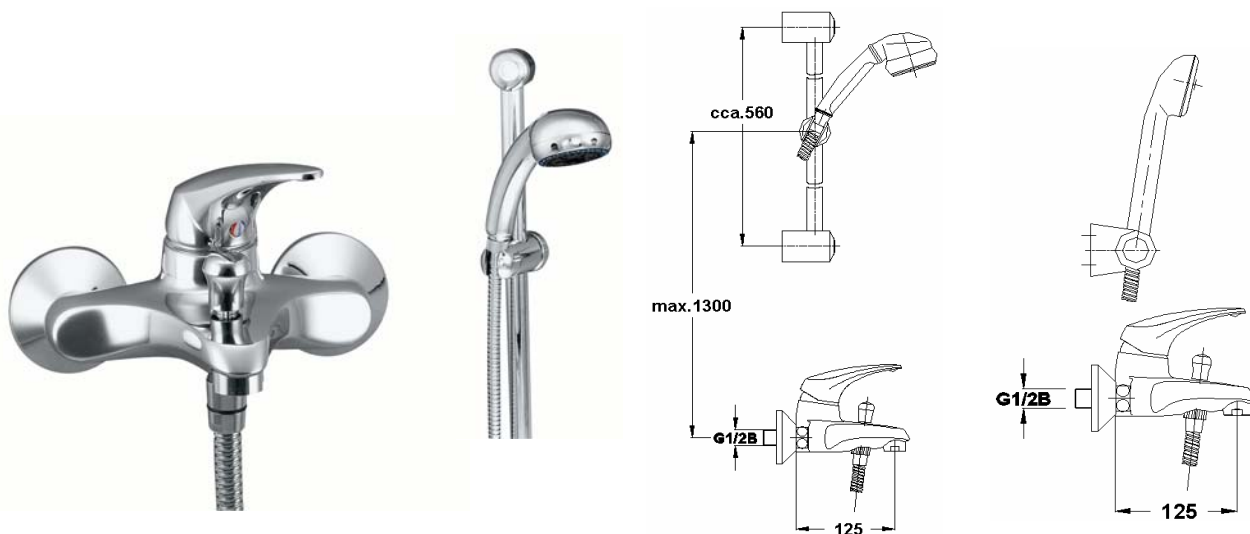


# Armature PRESTIGE Bath shower mixer

Data sheet for  
00352  
Valid 10.2007

00352, 00355

00356, 00357



Model:	Colour:
00352	Chrome
00355	Satten-Chrome
00356	Chrome
00357	Satten-Chrome

Body: brass acc. EN 1982, chrom plated  
Cartridge:  $\phi$  40 mm, Eco-temp cartridge, with warm wather flow reduction option  
Handle: brass, chrom plated  
Sealing elements: rubber EPDM  
Diverter switch: automatic

## Construction

Eccentric system G1/2

## Conections

Working pressure: up to 3 - 5 bar

## Recommendable pressure

Working pressure: up to 8 bar

## Maximum pressure

Working pressure: up to 0,5 bar

## Minimum pressure

Working temperature: 5 - 65°C

## Recommendable temp.

Working temperature: 70°C

## Maximum temperature

Sanitary armaturen is used in the high pressure sanitary systems.  
Eco-temp cartridge, with warm water flow reduction option, economic volume water floe control valve with 2 different levels.

## Application

You have to wash out all pipes before assembling.  
Connect sanitary mixer and primary water pipe with eccentric system. Remove aerator and rotate mixer handle in tottaly open position. Slowly open pipe valves and manipulate with mixer handle in all possittions. Repairing the armature is allowed only performed trade person. Affter assembling we advice to wash out mixer for an our.  
We recommended to reduce water pressure over 5 bar with suitable pressure reducer.

## Instruction for assembling and maintenance

We reserve the right to make modifications  
in line with progress in engineering.



Kovinsko predelovalno podjetje d.d.  
Grmaška c.3, 1275 Šmartno pri Litiji, SLOVENIJA