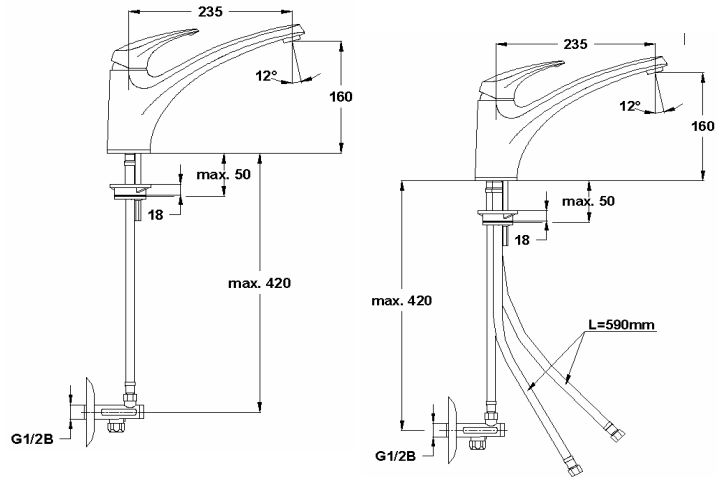


Armature PRESTIGE Kitchen Shink mixer

Data sheet for
00151
Valid 09.2007

00151, 00 01131, 01134



Model:	Colour:	Model:	Colour:
00151	Chrome	01131	Chrome
00152	Antracid-Gold	01134	Sateen
00153	Sateen-Gold		
00154	Sateen		
00155	Chrome-Gold		

Body:brass acc. EN 12164, chrom plated
Cartridge: ϕ 40 mm, Eco-temp cartridge, with warm wather flow reduction option
Handle: brass, chrom plated
Sealing elements: rubber EPDM

Construction

Flexible connecting hose for domestic tap fittings G3/8x450

Conections

Working pressure: up to 3 - 5 bar

Recommendable pressure

Working pressure: up to 8 bar

Maximum pressure

Working pressure: up to 0,5 bar

Minimum pressure

Working temperature: 5 - 65°C

Recommendable temp.

Working temperature: 80°C

Maximum temperature

Sanitary armaturen is used in the hight pressure sanitary systems.
Eco-temp cartridge, with warm wather flowreduction option, economic volume wather flowcontrol valve with 2 different levels.

Application

You have to wash out all pipes before assembling.
Connect sanitary mixer and primary water pipe with flexible hose. Remove aerator and rotate mixer handle in tottaly open position. Slowly open pipe valves and manipulate with mixer handle in all possittions. Repairing the armature is allowed only performed trade person. Affter assembling we advice to wash out mixer for an our.
We recommended to reduce water pressure over 5 bar with suitable pressure reducer.

Instruction for assembling and maintenance

We reserve the right to make modifications
in line with progress in engineering.



Kovinsko predelovalno podjetje d.d.
Grmaška c.3, 1275 Šmartno pri Litiji, SLOVENIJA